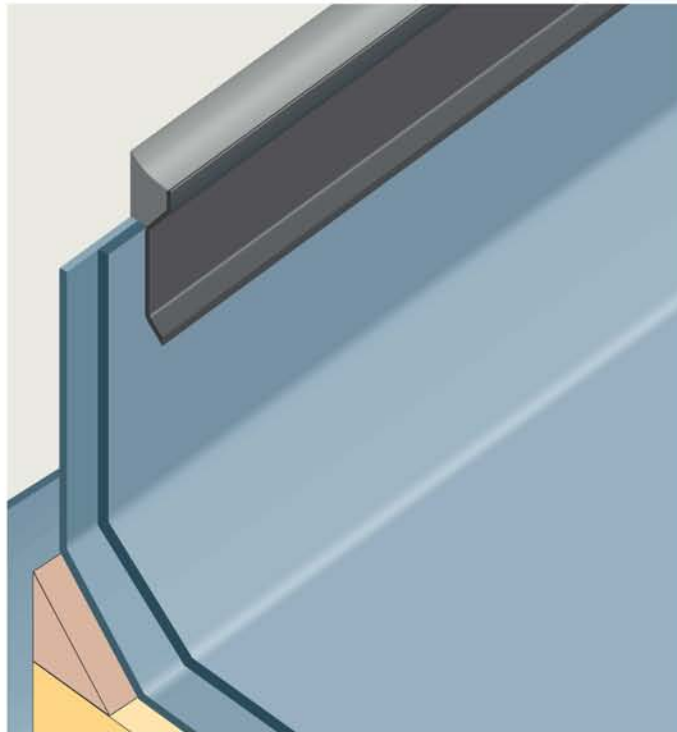




Em-Bar GRP & T-Bar aluminium

Termination bars



Whitesales™

SPECIALITY FLAT
ROOFING PRODUCTS

Tel: 01483 303304

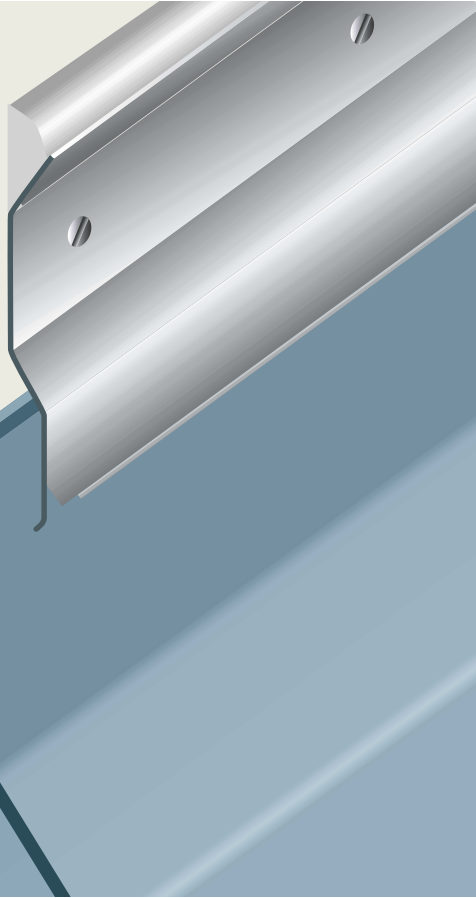
Fax: 01483 453919

Whitesales

Em-Bar GRP and T-Bar aluminium termination

Key features of T-Bar and Em-Bar termination bars

A neat and efficient means of terminating roofing and waterproofing membranes at upstands, without the need to make chases for lead flashings.

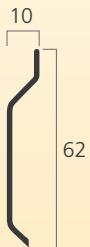


- Economical alternative to traditional lead flashing, avoiding the need to cut chases
- Suitable for built-up felt and mastic asphalt
- Choice of GRP or aluminium
- Fix through or cover flashing type available
- Neat unobtrusive appearance
- Simple to handle, work and install

Profile details

Em-Bars – GRP

GF 62



GA 75



T-Bars – aluminium

AF 55



AF 62



AA 110



Description

Em-Bar and T-Bar are alternatives to traditional lead flashing. They avoid the need to cut chases, which can be particularly important in reinforced concrete upstands, where there is a risk of exposing the steel reinforcement.

Em-Bars are manufactured from pultruded glass fibre reinforced polyester resin, giving them a very low coefficient of thermal expansion. They are available ex-stock in black and in other colours to special order.

T-Bars are manufactured from extruded aluminium alloy to BS 1474, Quality 6063/T6 (AlMgSi 0.5 F22) and offer an economical alternative to GRP. They are available ex-stock in mill finish. Alternatively, anodised and polyester powder coated finishes are available to special order.

Performance

Em-Bars and T-Bars will not rust and are not affected by atmospheric pollution. Anodised and polyester powder coated profiles are colourfast and once installed are maintenance free.

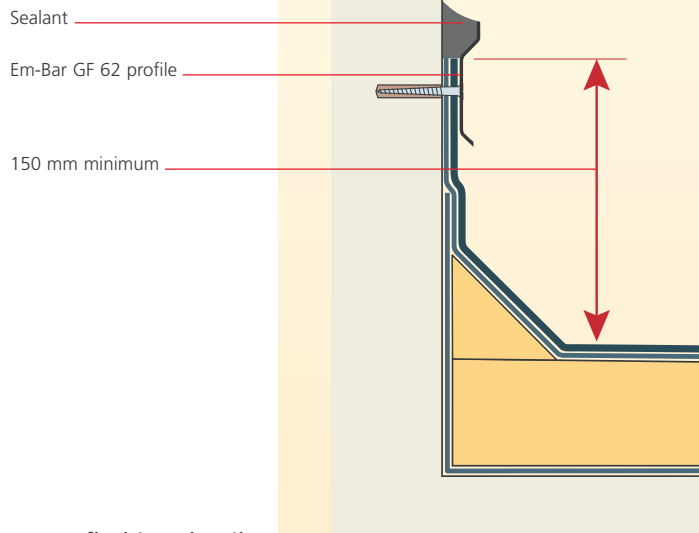
Sitework

All drilling and cutting can be carried out on site using traditional tools.

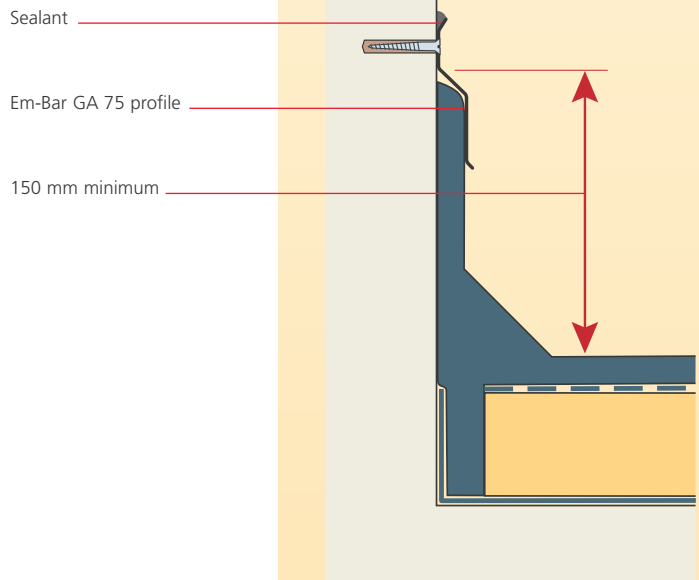
Screw fix into suitable plug inserts, using corrosion resistant woodscrews. Use silicone mastic to seal the gap between the wall and the top of the termination bar.

Typical installation details

Fix-through detail Felt roof



Cover flashing detail Asphalt roof



T-Bar aluminium termination bar



Em-Bar GRP termination bar

Whitesales

Supply

Supplied in 3 m lengths in sturdy cartons. Contents vary according to size of profile.

Technical support

We are always willing to provide technical advice and assistance on the specification and application of all our products. For larger projects, a site survey service is also available.



Whitesales™

**SPECIALITY FLAT
ROOFING PRODUCTS**

PO Box 82,
Guildford, GU1 4FJ
Tel: 01483 303304
Fax: 01483 453919

The following brochures are available from Whitesales™:

Product Range Summary

1. Rooflights
2. Barrel vaults
3. GRP trim
4. Aluminium trim
5. Termination bars
6. Accessories